

ПРИХВАТЫ ПЕРЕДВИЖНЫЕ
СТУПЕНЧАТЫЕ ДЛЯ СТАНОЧНЫХ
ПРИСПОСОБЛЕНИЙ

Конструкция

Moveable stepped gripper for machine retaining devices. Design

ГОСТ
12939—67

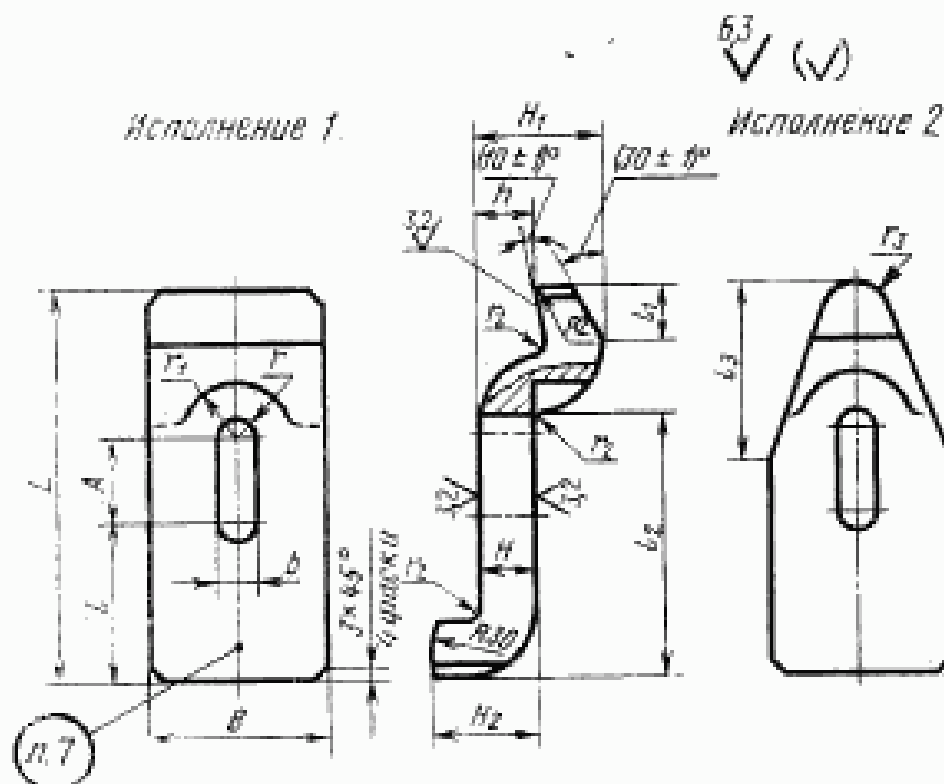
Дата введения 01.01.68

Несоблюдение стандарта преследуется по закону

1. Конструкция и размеры передвижных ступенчатых прихватов должны соответствовать указанным на чертеже и в таблице.

2. Материал — сталь марки 45 по ГОСТ 1050—74.

Допускается замена на стали других марок с механическими свойствами не ниже, чем у стали марки 45.



Издание официальное

Перепечатка воспрещена

Размеры, мм

Обозначение привинтов	Гривняк-крясть	Исполнение	р	Л	В	Н	Н ₁	Н ₂	А	А	Г	h ₁	h ₂	h ₃	h ₄	h ₅	h ₆	h ₇	h ₈	h ₉	h ₁₀	h ₁₁	h ₁₂	h ₁₃	h ₁₄	h ₁₅	h ₁₆	h ₁₇	h ₁₈	h ₁₉	h ₂₀	h ₂₁	h ₂₂	h ₂₃	h ₂₄	h ₂₅	h ₂₆	h ₂₇	h ₂₈	h ₂₉	h ₃₀	h ₃₁	h ₃₂	h ₃₃	h ₃₄	h ₃₅	h ₃₆	h ₃₇	h ₃₈	h ₃₉	h ₄₀	h ₄₁	h ₄₂	h ₄₃	h ₄₄	h ₄₅	h ₄₆	h ₄₇	h ₄₈	h ₄₉	h ₅₀	h ₅₁	h ₅₂	h ₅₃	h ₅₄	h ₅₅	h ₅₆	h ₅₇	h ₅₈	h ₅₉	h ₆₀	h ₆₁	h ₆₂	h ₆₃	h ₆₄	h ₆₅	h ₆₆	h ₆₇	h ₆₈	h ₆₉	h ₇₀	h ₇₁	h ₇₂	h ₇₃	h ₇₄	h ₇₅	h ₇₆	h ₇₇	h ₇₈	h ₇₉	h ₈₀	h ₈₁	h ₈₂	h ₈₃	h ₈₄	h ₈₅	h ₈₆	h ₈₇	h ₈₈	h ₈₉	h ₉₀	h ₉₁	h ₉₂	h ₉₃	h ₉₄	h ₉₅	h ₉₆	h ₉₇	h ₉₈	h ₉₉	h ₁₀₀	h ₁₀₁	h ₁₀₂	h ₁₀₃	h ₁₀₄	h ₁₀₅	h ₁₀₆	h ₁₀₇	h ₁₀₈	h ₁₀₉	h ₁₁₀	h ₁₁₁	h ₁₁₂	h ₁₁₃	h ₁₁₄	h ₁₁₅	h ₁₁₆	h ₁₁₇	h ₁₁₈	h ₁₁₉	h ₁₂₀	h ₁₂₁	h ₁₂₂	h ₁₂₃	h ₁₂₄	h ₁₂₅	h ₁₂₆	h ₁₂₇	h ₁₂₈	h ₁₂₉	h ₁₃₀	h ₁₃₁	h ₁₃₂	h ₁₃₃	h ₁₃₄	h ₁₃₅	h ₁₃₆	h ₁₃₇	h ₁₃₈	h ₁₃₉	h ₁₄₀	h ₁₄₁	h ₁₄₂	h ₁₄₃	h ₁₄₄	h ₁₄₅	h ₁₄₆	h ₁₄₇	h ₁₄₈	h ₁₄₉	h ₁₅₀	h ₁₅₁	h ₁₅₂	h ₁₅₃	h ₁₅₄	h ₁₅₅	h ₁₅₆	h ₁₅₇	h ₁₅₈	h ₁₅₉	h ₁₆₀	h ₁₆₁	h ₁₆₂	h ₁₆₃	h ₁₆₄	h ₁₆₅	h ₁₆₆	h ₁₆₇	h ₁₆₈	h ₁₆₉	h ₁₇₀	h ₁₇₁	h ₁₇₂	h ₁₇₃	h ₁₇₄	h ₁₇₅	h ₁₇₆	h ₁₇₇	h ₁₇₈	h ₁₇₉	h ₁₈₀	h ₁₈₁	h ₁₈₂	h ₁₈₃	h ₁₈₄	h ₁₈₅	h ₁₈₆	h ₁₈₇	h ₁₈₈	h ₁₈₉	h ₁₉₀	h ₁₉₁	h ₁₉₂	h ₁₉₃	h ₁₉₄	h ₁₉₅	h ₁₉₆	h ₁₉₇	h ₁₉₈	h ₁₉₉	h ₂₀₀	h ₂₀₁	h ₂₀₂	h ₂₀₃	h ₂₀₄	h ₂₀₅	h ₂₀₆	h ₂₀₇	h ₂₀₈	h ₂₀₉	h ₂₁₀	h ₂₁₁	h ₂₁₂	h ₂₁₃	h ₂₁₄	h ₂₁₅	h ₂₁₆	h ₂₁₇	h ₂₁₈	h ₂₁₉	h ₂₂₀	h ₂₂₁	h ₂₂₂	h ₂₂₃	h ₂₂₄	h ₂₂₅	h ₂₂₆	h ₂₂₇	h ₂₂₈	h ₂₂₉	h ₂₃₀	h ₂₃₁	h ₂₃₂	h ₂₃₃	h ₂₃₄	h ₂₃₅	h ₂₃₆	h ₂₃₇	h ₂₃₈	h ₂₃₉	h ₂₄₀	h ₂₄₁	h ₂₄₂	h ₂₄₃	h ₂₄₄	h ₂₄₅	h ₂₄₆	h ₂₄₇	h ₂₄₈	h ₂₄₉	h ₂₅₀	h ₂₅₁	h ₂₅₂	h ₂₅₃	h ₂₅₄	h ₂₅₅	h ₂₅₆	h ₂₅₇	h ₂₅₈	h ₂₅₉	h ₂₆₀	h ₂₆₁	h ₂₆₂	h ₂₆₃	h ₂₆₄	h ₂₆₅	h ₂₆₆	h ₂₆₇	h ₂₆₈	h ₂₆₉	h ₂₇₀	h ₂₇₁	h ₂₇₂	h ₂₇₃	h ₂₇₄	h ₂₇₅	h ₂₇₆	h ₂₇₇	h ₂₇₈	h ₂₇₉	h ₂₈₀	h ₂₈₁	h ₂₈₂	h ₂₈₃	h ₂₈₄	h ₂₈₅	h ₂₈₆	h ₂₈₇	h ₂₈₈	h ₂₈₉	h ₂₉₀	h ₂₉₁	h ₂₉₂	h ₂₉₃	h ₂₉₄	h ₂₉₅	h ₂₉₆	h ₂₉₇	h ₂₉₈	h ₂₉₉	h ₃₀₀	h ₃₀₁	h ₃₀₂	h ₃₀₃	h ₃₀₄	h ₃₀₅	h ₃₀₆	h ₃₀₇	h ₃₀₈	h ₃₀₉	h ₃₁₀	h ₃₁₁	h ₃₁₂	h ₃₁₃	h ₃₁₄	h ₃₁₅	h ₃₁₆	h ₃₁₇	h ₃₁₈	h ₃₁₉	h ₃₂₀	h ₃₂₁	h ₃₂₂	h ₃₂₃	h ₃₂₄	h ₃₂₅	h ₃₂₆	h ₃₂₇	h ₃₂₈	h ₃₂₉	h ₃₃₀	h ₃₃₁	h ₃₃₂	h ₃₃₃	h ₃₃₄	h ₃₃₅	h ₃₃₆	h ₃₃₇	h ₃₃₈	h ₃₃₉	h ₃₄₀	h ₃₄₁	h ₃₄₂	h ₃₄₃	h ₃₄₄	h ₃₄₅	h ₃₄₆	h ₃₄₇	h ₃₄₈	h ₃₄₉	h ₃₅₀	h ₃₅₁	h ₃₅₂	h ₃₅₃	h ₃₅₄	h ₃₅₅	h ₃₅₆	h ₃₅₇	h ₃₅₈	h ₃₅₉	h ₃₆₀	h ₃₆₁	h ₃₆₂	h ₃₆₃	h ₃₆₄	h ₃₆₅	h ₃₆₆	h ₃₆₇	h ₃₆₈	h ₃₆₉	h ₃₇₀	h ₃₇₁	h ₃₇₂	h ₃₇₃	h ₃₇₄	h ₃₇₅	h ₃₇₆	h ₃₇₇	h ₃₇₈	h ₃₇₉	h ₃₈₀	h ₃₈₁	h ₃₈₂	h ₃₈₃	h ₃₈₄	h ₃₈₅	h ₃₈₆	h ₃₈₇	h ₃₈₈	h ₃₈₉	h ₃₉₀	h ₃₉₁	h ₃₉₂	h ₃₉₃	h ₃₉₄	h ₃₉₅	h ₃₉₆	h ₃₉₇	h ₃₉₈	h ₃₉₉	h ₄₀₀	h ₄₀₁	h ₄₀₂	h ₄₀₃	h ₄₀₄	h ₄₀₅	h ₄₀₆	h ₄₀₇	h ₄₀₈	h ₄₀₉	h ₄₁₀	h ₄₁₁	h ₄₁₂	h ₄₁₃	h ₄₁₄	h ₄₁₅	h ₄₁₆	h ₄₁₇	h ₄₁₈	h ₄₁₉	h ₄₂₀	h ₄₂₁	h ₄₂₂	h ₄₂₃	h ₄₂₄	h ₄₂₅	h ₄₂₆	h ₄₂₇	h ₄₂₈	h ₄₂₉	h ₄₃₀	h ₄₃₁	h ₄₃₂	h ₄₃₃	h ₄₃₄	h ₄₃₅	h ₄₃₆	h ₄₃₇	h ₄₃₈	h ₄₃₉	h ₄₄₀	h ₄₄₁	h ₄₄₂	h ₄₄₃	h ₄₄₄	h ₄₄₅	h ₄₄₆	h ₄₄₇	h ₄₄₈	h ₄₄₉	h ₄₅₀	h ₄₅₁	h ₄₅₂	h ₄₅₃	h ₄₅₄	h ₄₅₅	h ₄₅₆	h ₄₅₇	h ₄₅₈	h ₄₅₉	h ₄₆₀	h ₄₆₁	h ₄₆₂	h ₄₆₃	h ₄₆₄	h ₄₆₅	h ₄₆₆	h ₄₆₇	h ₄₆₈	h ₄₆₉	h ₄₇₀	h ₄₇₁	h ₄₇₂	h ₄₇₃	h ₄₇₄	h ₄₇₅	h ₄₇₆	h ₄₇₇	h ₄₇₈	h ₄₇₉	h ₄₈₀	h ₄₈₁	h ₄₈₂	h ₄₈₃	h ₄₈₄	h ₄₈₅	h ₄₈₆	h ₄₈₇	h ₄₈₈	h ₄₈₉	h ₄₉₀	h ₄₉₁	h ₄₉₂	h ₄₉₃	h ₄₉₄	h ₄₉₅	h ₄₉₆	h ₄₉₇	h ₄₉₈	h ₄₉₉	h ₅₀₀	h ₅₀₁	h ₅₀₂	h ₅₀₃	h ₅₀₄	h ₅₀₅	h ₅₀₆	h ₅₀₇	h ₅₀₈	h ₅₀₉	h ₅₁₀	h ₅₁₁	h ₅₁₂	h ₅₁₃	h ₅₁₄	h ₅₁₅	h ₅₁₆	h ₅₁₇	h ₅₁₈	h ₅₁₉	h ₅₂₀	h ₅₂₁	h ₅₂₂	h ₅₂₃	h ₅₂₄	h ₅₂₅	h ₅₂₆	h ₅₂₇	h ₅₂₈	h ₅₂₉	h ₅₃₀	h ₅₃₁	h ₅₃₂	h ₅₃₃	h ₅₃₄	h ₅₃₅	h ₅₃₆	h ₅₃₇	h ₅₃₈	h ₅₃₉	h ₅₄₀	h ₅₄₁	h ₅₄₂	h ₅₄₃	h ₅₄₄	h ₅₄₅	h ₅₄₆	h ₅₄₇	h ₅₄₈	h ₅₄₉	h ₅₅₀	h ₅₅₁	h ₅₅₂	h ₅₅₃	h ₅₅₄	h ₅₅₅	h ₅₅₆	h ₅₅₇	h ₅₅₈	h ₅₅₉	h ₅₆₀	h ₅₆₁	h ₅₆₂	h ₅₆₃	h ₅₆₄	h ₅₆₅	h ₅₆₆	h ₅₆₇	h ₅₆₈	h ₅₆₉	h ₅₇₀	h ₅₇₁	h ₅₇₂	h ₅₇₃	h ₅₇₄	h ₅₇₅	h ₅₇₆	h ₅₇₇	h ₅₇₈	h ₅₇₉	h ₅₈₀	h ₅₈₁	h ₅₈₂	h ₅₈₃	h ₅₈₄	h ₅₈₅	h ₅₈₆	h ₅₈₇	h ₅₈₈	h ₅₈₉	h ₅₉₀	h ₅₉₁	h ₅₉₂	h ₅₉₃	h ₅₉₄	h ₅₉₅	h ₅₉₆	h ₅₉₇	h ₅₉₈	h ₅₉₉	h ₆₀₀	h ₆₀₁	h ₆₀₂	h ₆₀₃	h ₆₀₄	h ₆₀₅	h ₆₀₆	h ₆₀₇	h ₆₀₈	h ₆₀₉	h ₆₁₀	h ₆₁₁	h ₆₁₂	h ₆₁₃	h ₆₁₄	h ₆₁₅	h ₆₁₆	h ₆₁₇	h ₆₁₈	h ₆₁₉	h ₆₂₀	h ₆₂₁	h ₆₂₂	h ₆₂₃	h ₆₂₄	h ₆₂₅	h ₆₂₆	h ₆₂₇	h ₆₂₈	h ₆₂₉	h ₆₃₀	h ₆₃₁	h ₆₃₂	h ₆₃₃	h ₆₃₄	h ₆₃₅	h ₆₃₆	h ₆₃₇	h ₆₃₈	h ₆₃₉	h ₆₄₀	h ₆₄₁	h ₆₄₂	h ₆₄₃	h ₆₄₄	h ₆₄₅	h ₆₄₆	h ₆₄₇	h ₆₄₈	h ₆₄₉	h ₆₅₀	h ₆₅₁	h ₆₅₂	h ₆₅₃	h ₆₅₄	h ₆₅₅	h ₆₅₆	h ₆₅₇	h ₆₅₈	h ₆₅₉	h ₆₆₀	h ₆₆₁	h ₆₆₂	h ₆₆₃	h ₆₆₄	h ₆₆₅	h ₆₆₆	h ₆₆₇	h ₆₆₈	h ₆₆₉	h ₆₇₀	h ₆₇₁	h ₆₇₂	h ₆₇₃	h ₆₇₄	h ₆₇₅	h ₆₇₆	h ₆₇₇	h ₆₇₈	h ₆₇₉	h ₆₈₀	h ₆₈₁	h ₆₈₂	h ₆₈₃	h ₆₈₄	h ₆₈₅	h ₆₈₆	h ₆₈₇	h ₆₈₈	h ₆₈₉	h ₆₉₀	h ₆₉₁	h ₆₉₂	h ₆₉₃	h ₆₉₄	h ₆₉₅	h ₆₉₆	h ₆₉₇	h ₆₉₈	h ₆₉₉	h ₇₀₀	h ₇₀₁	h ₇₀₂	h ₇₀₃	h ₇₀₄	h ₇₀₅	h ₇₀₆	h ₇₀₇	h ₇₀₈	h ₇₀₉	h ₇₁₀	h ₇₁₁	h ₇₁₂	h ₇₁₃	h ₇₁₄	h ₇₁₅	h ₇₁₆	h ₇₁₇	h ₇₁₈	h ₇₁₉	h ₇₂₀	h ₇₂₁	h ₇₂₂	h ₇₂₃	h ₇₂₄	h ₇₂₅	h ₇₂₆	h ₇₂₇	h ₇₂₈	h ₇₂₉	h ₇₃₀	h ₇₃₁	h ₇₃₂	h ₇₃₃	h ₇₃₄	h ₇₃₅	h ₇₃₆	h ₇₃₇	h ₇₃₈	h ₇₃₉	h ₇₄₀	h ₇₄₁	h ₇₄₂	h ₇₄₃	h ₇₄₄	h ₇₄₅	h ₇₄₆	h ₇₄₇	h ₇₄₈	h ₇₄₉	h ₇₅₀	h ₇₅₁	h ₇₅₂	h ₇₅₃	h ₇₅₄	h ₇₅₅	h ₇₅₆	h ₇₅₇	h ₇₅₈	h ₇₅₉	h ₇₆₀	h ₇₆₁	h ₇₆₂	h ₇₆₃	h ₇₆₄	h ₇₆₅	h ₇₆₆	h ₇₆₇	h ₇₆₈	h ₇₆₉	h ₇₇₀	h ₇₇₁	h ₇₇₂	h ₇₇₃	h ₇₇₄	h ₇₇₅	h ₇₇₆	h ₇₇₇	h ₇₇₈	h ₇₇₉	h ₇₈₀	h ₇₈₁	h ₇₈₂	h ₇₈₃	h ₇₈₄	h ₇₈₅	h ₇₈₆	h ₇₈₇	h ₇₈₈	h ₇₈₉	h ₇₉₀	h ₇₉₁	h ₇₉₂	h ₇₉₃	h ₇₉₄	h ₇₉₅	h ₇₉₆	h ₇₉₇	h ₇₉₈	h ₇₉₉	h ₈₀₀	h ₈₀₁	h ₈₀₂	h ₈₀₃	h ₈₀₄	h ₈₀₅	h ₈₀₆	h ₈₀₇	h ₈₀₈	h ₈₀₉	h ₈₁₀	h ₈₁₁	h ₈₁₂	h ₈₁₃	h ₈₁₄	h ₈₁₅	h ₈₁₆	h _{817</}
-----------------------	----------------	------------	---	---	---	---	----------------	----------------	---	---	---	----------------	----------------	----------------	----------------	----------------	----------------	----------------	----------------	----------------	-----------------	-----------------	-----------------	-----------------	-----------------	-----------------	-----------------	-----------------	-----------------	-----------------	-----------------	-----------------	-----------------	-----------------	-----------------	-----------------	-----------------	-----------------	-----------------	-----------------	-----------------	-----------------	-----------------	-----------------	-----------------	-----------------	-----------------	-----------------	-----------------	-----------------	-----------------	-----------------	-----------------	-----------------	-----------------	-----------------	-----------------	-----------------	-----------------	-----------------	-----------------	-----------------	-----------------	-----------------	-----------------	-----------------	-----------------	-----------------	-----------------	-----------------	-----------------	-----------------	-----------------	-----------------	-----------------	-----------------	-----------------	-----------------	-----------------	-----------------	-----------------	-----------------	-----------------	-----------------	-----------------	-----------------	-----------------	-----------------	-----------------	-----------------	-----------------	-----------------	-----------------	-----------------	-----------------	-----------------	-----------------	-----------------	-----------------	-----------------	-----------------	-----------------	-----------------	-----------------	-----------------	-----------------	-----------------	-----------------	-----------------	-----------------	------------------	------------------	------------------	------------------	------------------	------------------	------------------	------------------	------------------	------------------	------------------	------------------	------------------	------------------	------------------	------------------	------------------	------------------	------------------	------------------	------------------	------------------	------------------	------------------	------------------	------------------	------------------	------------------	------------------	------------------	------------------	------------------	------------------	------------------	------------------	------------------	------------------	------------------	------------------	------------------	------------------	------------------	------------------	------------------	------------------	------------------	------------------	------------------	------------------	------------------	------------------	------------------	------------------	------------------	------------------	------------------	------------------	------------------	------------------	------------------	------------------	------------------	------------------	------------------	------------------	------------------	------------------	------------------	------------------	------------------	------------------	------------------	------------------	------------------	------------------	------------------	------------------	------------------	------------------	------------------	------------------	------------------	------------------	------------------	------------------	------------------	------------------	------------------	------------------	------------------	------------------	------------------	------------------	------------------	------------------	------------------	------------------	------------------	------------------	------------------	------------------	------------------	------------------	------------------	------------------	------------------	------------------	------------------	------------------	------------------	------------------	------------------	------------------	------------------	------------------	------------------	------------------	------------------	------------------	------------------	------------------	------------------	------------------	------------------	------------------	------------------	------------------	------------------	------------------	------------------	------------------	------------------	------------------	------------------	------------------	------------------	------------------	------------------	------------------	------------------	------------------	------------------	------------------	------------------	------------------	------------------	------------------	------------------	------------------	------------------	------------------	------------------	------------------	------------------	------------------	------------------	------------------	------------------	------------------	------------------	------------------	------------------	------------------	------------------	------------------	------------------	------------------	------------------	------------------	------------------	------------------	------------------	------------------	------------------	------------------	------------------	------------------	------------------	------------------	------------------	------------------	------------------	------------------	------------------	------------------	------------------	------------------	------------------	------------------	------------------	------------------	------------------	------------------	------------------	------------------	------------------	------------------	------------------	------------------	------------------	------------------	------------------	------------------	------------------	------------------	------------------	------------------	------------------	------------------	------------------	------------------	------------------	------------------	------------------	------------------	------------------	------------------	------------------	------------------	------------------	------------------	------------------	------------------	------------------	------------------	------------------	------------------	------------------	------------------	------------------	------------------	------------------	------------------	------------------	------------------	------------------	------------------	------------------	------------------	------------------	------------------	------------------	------------------	------------------	------------------	------------------	------------------	------------------	------------------	------------------	------------------	------------------	------------------	------------------	------------------	------------------	------------------	------------------	------------------	------------------	------------------	------------------	------------------	------------------	------------------	------------------	------------------	------------------	------------------	------------------	------------------	------------------	------------------	------------------	------------------	------------------	------------------	------------------	------------------	------------------	------------------	------------------	------------------	------------------	------------------	------------------	------------------	------------------	------------------	------------------	------------------	------------------	------------------	------------------	------------------	------------------	------------------	------------------	------------------	------------------	------------------	------------------	------------------	------------------	------------------	------------------	------------------	------------------	------------------	------------------	------------------	------------------	------------------	------------------	------------------	------------------	------------------	------------------	------------------	------------------	------------------	------------------	------------------	------------------	------------------	------------------	------------------	------------------	------------------	------------------	------------------	------------------	------------------	------------------	------------------	------------------	------------------	------------------	------------------	------------------	------------------	------------------	------------------	------------------	------------------	------------------	------------------	------------------	------------------	------------------	------------------	------------------	------------------	------------------	------------------	------------------	------------------	------------------	------------------	------------------	------------------	------------------	------------------	------------------	------------------	------------------	------------------	------------------	------------------	------------------	------------------	------------------	------------------	------------------	------------------	------------------	------------------	------------------	------------------	------------------	------------------	------------------	------------------	------------------	------------------	------------------	------------------	------------------	------------------	------------------	------------------	------------------	------------------	------------------	------------------	------------------	------------------	------------------	------------------	------------------	------------------	------------------	------------------	------------------	------------------	------------------	------------------	------------------	------------------	------------------	------------------	------------------	------------------	------------------	------------------	------------------	------------------	------------------	------------------	------------------	------------------	------------------	------------------	------------------	------------------	------------------	------------------	------------------	------------------	------------------	------------------	------------------	------------------	------------------	------------------	------------------	------------------	------------------	------------------	------------------	------------------	------------------	------------------	------------------	------------------	------------------	------------------	------------------	------------------	------------------	------------------	------------------	------------------	------------------	------------------	------------------	------------------	------------------	------------------	------------------	------------------	------------------	------------------	------------------	------------------	------------------	------------------	------------------	------------------	------------------	------------------	------------------	------------------	------------------	------------------	------------------	------------------	------------------	------------------	------------------	------------------	------------------	------------------	------------------	------------------	------------------	------------------	------------------	------------------	------------------	------------------	------------------	------------------	------------------	------------------	------------------	------------------	------------------	------------------	------------------	------------------	------------------	------------------	------------------	------------------	------------------	------------------	------------------	------------------	------------------	------------------	------------------	------------------	------------------	------------------	------------------	------------------	------------------	------------------	------------------	------------------	------------------	------------------	------------------	------------------	------------------	------------------	------------------	------------------	------------------	------------------	------------------	------------------	------------------	------------------	------------------	------------------	------------------	------------------	------------------	------------------	------------------	------------------	------------------	------------------	------------------	------------------	------------------	------------------	------------------	------------------	------------------	------------------	------------------	------------------	------------------	------------------	------------------	------------------	------------------	------------------	------------------	------------------	------------------	------------------	------------------	------------------	------------------	------------------	------------------	------------------	------------------	------------------	------------------	------------------	------------------	------------------	------------------	------------------	------------------	------------------	------------------	------------------	------------------	------------------	------------------	------------------	------------------	------------------	------------------	------------------	------------------	------------------	------------------	------------------	------------------	------------------	------------------	------------------	------------------	------------------	------------------	------------------	------------------	------------------	------------------	------------------	------------------	------------------	------------------	------------------	------------------	------------------	------------------	------------------	------------------	------------------	------------------	------------------	------------------	------------------	------------------	------------------	------------------	------------------	------------------	------------------	------------------	------------------	------------------	------------------	------------------	------------------	------------------	------------------	------------------	------------------	------------------	------------------	------------------	------------------	------------------	------------------	------------------	------------------	------------------	------------------	------------------	------------------	------------------	------------------	------------------	------------------	------------------	------------------	------------------	------------------	------------------	------------------	------------------	------------------	------------------	------------------	------------------	------------------	------------------	------------------	------------------	------------------	------------------	------------------	------------------	------------------	------------------	------------------	------------------	------------------	------------------	------------------	------------------	------------------	------------------	------------------	------------------	------------------	------------------	------------------	------------------	------------------	------------------	------------------	------------------	------------------	------------------	------------------	------------------	------------------	------------------	------------------	------------------	------------------	------------------	------------------	------------------	------------------	------------------	------------------	------------------	------------------	------------------	------------------	------------------	------------------	------------------	------------------	------------------	------------------	-----------------------

Продолжение

Размеры, мм

Обозначение прихватов	Пример обозначения	Материал	L	B	H	H ₁	H ₂	A	h	l	r ₁	r ₂	r ₃	r ₄	r ₅	Среднее значение
7011—0127	1		200				70			62	24	150				5,68
7011—0128			250							90		175				6,84
7011—0129	2			110	30	72		50	36				10	40	15	6,27
7011—0130	1						60				30					8,88
7011—0131	2		320							155		240			15	8,48

Пример условного обозначения передвижного ступенчатого прихвата исполнения 1, размерами $b = 14$ мм и $L = 80$ мм:

Прихват 7011-0111 ГОСТ 12939—67

(Измененная редакция, Изм. № 2).

3. Твердость — 36,5 . . . 41,5 HRC.

4. Предельные отклонения размеров: $H14$, $h14$, $\pm \frac{t_2}{2}$.

3. 4. (Измененная редакция, Изм. № 2).

5. (Исключен, Изм. № 1).

6. Покрытие — Хим. Окс. прм (обозначение покрытия — по ГОСТ 9.306—85).

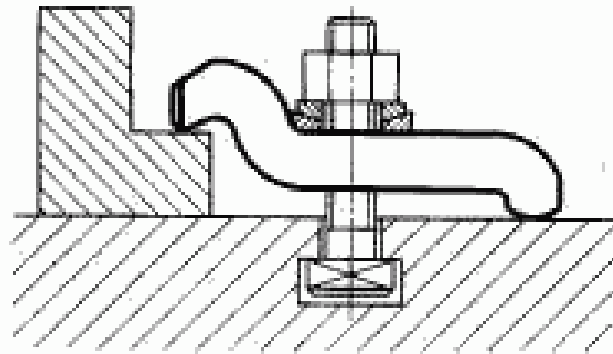
7. Маркировать: обозначение прихвата и обозначение стандарта. Допускается маркировку прихватов одного типоразмера наносить на тару или упаковку.

(Измененная редакция, Изм. № 2).

8. Пример применения передвижных ступенчатых прихватов приведен в приложении.

(Введен дополнительно, Изм. № 2).

Пример применения передвижных ступенчатых прихватов



ИНФОРМАЦИОННЫЕ ДАННЫЕ**1. РАЗРАБОТАН И ВНЕСЕН** Комитетом стандартов, мер и измерительных приборов при Совете Министров СССР

Министерством станкостроительной и инструментальной промышленности СССР

ИСПОЛНИТЕЛИ

В. В. Андреев; В. Н. Дзегиленок, канд. техн. наук; Л. А. Гуслинская; А. В. Орса; Р. П. Смирнова; А. З. Старосельский (руководитель темы); Г. К. Хорькова

2. УТВЕРЖДЕН И ВВЕДЕН В ДЕЙСТВИЕ Постановлением Комитета стандартов, мер и измерительных приборов при Совете Министров СССР от 19.05.67 № 844**3. Срок проверки — 1995 г. Периодичность проверки — 5 лет****4. Взамен** ГОСТ 1553—42 в части разд. I, тип В и разд. II, тип Е. 7011—0110**5. ССЫЛОЧНЫЕ НОРМАТИВНО-ТЕХНИЧЕСКИЕ ДОКУМЕНТЫ**

Обозначение НТД, на который дана ссылка	Номер пункта
ГОСТ 9,306—85	4
ГОСТ 1050—74	2

6. Переиздание (декабрь 1988 г.) с Изменениями 1, 2, утвержденными в июне 1980 г., марте 1988 г. (ИУС 9—80, 6—88).**7. Ограничение срока действия отменено (Постановление Государственного комитета СССР по стандартам от 17.03.88 № 575)**